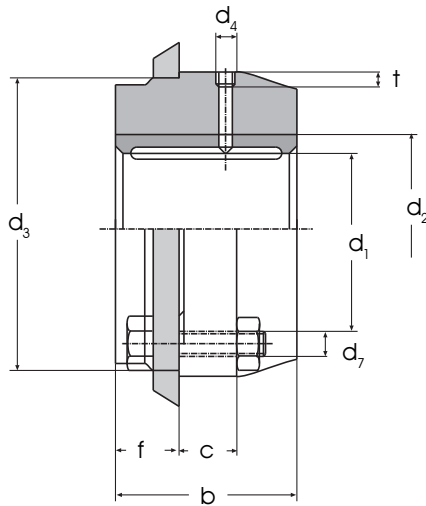
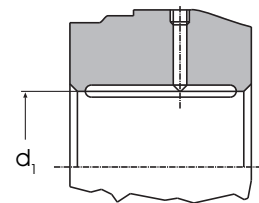


Form B mit Buchse



Form D ohne Buchse



| Ausf. B mit Buchse d ₁ / D10 | Ausf. D o. Buchse d ₁ / D7 | Gew. kg | Abmessungen mm | | | | | | | | | | | | |
|---|---|------------|-------------------|-----|-----|-----|----------------|----------------|----------------|----------------|----------------|----|-----|----|----|
| | | | a | m | h | n | d ₅ | d ₆ | d ₂ | d ₃ | d ₄ | t | b | c | f |
| 35 | 45 | 2,9 | 145 | 110 | 85 | 50 | 35 | 14 | 45 | 80 | R 1/4 | 12 | 70 | 20 | 20 |
| 40 | 50 | 3,0 | 145 | 110 | 85 | 50 | 35 | 14 | 50 | 80 | R 1/4 | 12 | 70 | 20 | 20 |
| 45 | 55 | 5,5 | 175 | 130 | 105 | 60 | 45 | 18 | 55 | 100 | R 1/4 | 12 | 80 | 25 | 20 |
| 50 | 60 | 5,3 | 175 | 130 | 105 | 60 | 45 | 18 | 60 | 100 | R 1/4 | 12 | 80 | 25 | 20 |
| 55 | - | 8,1 | 195 | 150 | 125 | 80 | 45 | 18 | - | 120 | R 1/4 | 12 | 90 | 25 | 25 |
| 60 | 70 | 7,8 | 195 | 150 | 125 | 80 | 45 | 18 | 70 | 120 | R 1/4 | 12 | 90 | 25 | 25 |
| 70 | 80 | 12,0 | 220 | 170 | 150 | 100 | 50 | 22 | 80 | 140 | R 1/4 | 12 | 100 | 30 | 25 |
| 80 | 90 | 14,5 | 240 | 190 | 170 | 120 | 50 | 22 | 90 | 160 | R 1/4 | 12 | 100 | 30 | 30 |
| 90 | 100 | 25,0 | 260 | 210 | 190 | 140 | 50 | 22 | 100 | 180 | R 1/4 | 12 | 120 | 30 | 30 |
| - | 110 | 24,0 | 260 | 210 | 190 | 140 | 50 | 22 | - | 180 | R 1/4 | 12 | 120 | 30 | 30 |
| 100 | 125 | 30,0 | 285 | 230 | 215 | 160 | 55 | 26 | 125 | 200 | R 3/8 | 13 | 120 | 35 | 40 |
| 110 | - | 28,0 | 285 | 230 | 215 | 160 | 55 | 26 | - | 200 | R 3/8 | 13 | 120 | 33 | 40 |
| 125 | 140 | 48,0 | 310 | 250 | 240 | 180 | 60 | 26 | 140 | 230 | R 3/8 | 13 | 140 | 40 | 40 |
| 140 | 160 | 57,0 | 330 | 270 | 270 | 210 | 60 | 26 | 155 | 260 | R 3/8 | 13 | 160 | 40 | 40 |
| - | 180 | 55,0 | 330 | 270 | 270 | 210 | 60 | 26 | 165 | 260 | R 3/8 | 13 | 160 | 40 | 40 |
| 160 | - | 82,0 | 365 | 300 | 305 | 240 | 65 | 33 | 175 | 290 | R 3/8 | 13 | 180 | 45 | 40 |
| 180 | - | 95,0 | 365 | 300 | 305 | 240 | 65 | 33 | 195 | 290 | R 3/8 | 13 | 180 | 45 | 40 |